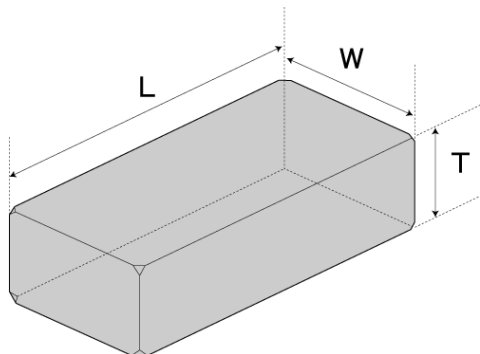


Multilayer Ceramic Devices (Diplexers)

FI 168P157519



■ Features

- Item Summary
Diplexer, W-CDMA / CDMA / GSM / ISM900 / Blue tooth / W-LAN / GPS, 0.65mm, 0603
- Lifecycle Stage
Mass Production
- Standard packaging quantity (minimum)
Taping Papered 4000

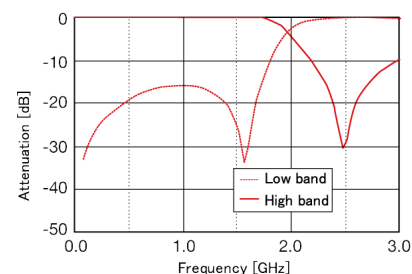
■ Products characteristics table

Temperature Range	-40 to +85°C
Impedance 1	50Ω
Passband Frequency 1	1558-1585MHzHz
Insertion Loss 1	0.40dBmax (25°C) 0.50dBmax (-40 to +85°C)
Attenuation 1	13dBmin (2400 to 2500MHz) -
V.S.W.R. 1	2.0max
Passband Frequency 2	2400-2500MHzHz
Insertion Loss 2	0.60dBmax (25°C) 0.70dBmax (-40 to +85°C)
Attenuation 2	23dBmin (1558 to 1585MHz)
V.S.W.R. 2	2.0max
RoHS Compliance	Yes
Halogen Free	Yes
Soldering Method	Reflow

■ External Dimensions

L	1.6mm +0.1:-0.1
W	0.8mm +0.1:-0.1
T	0.65mm max

■ Typical Characteristics Fig.



2015.03.10

The data is reference only. Electrical characteristics vary depending on environment or measurement condition.
 TAIYO YUDEN reserves the right to make change to the Date at any time without notice.
 Before making final selection, please check product specification.